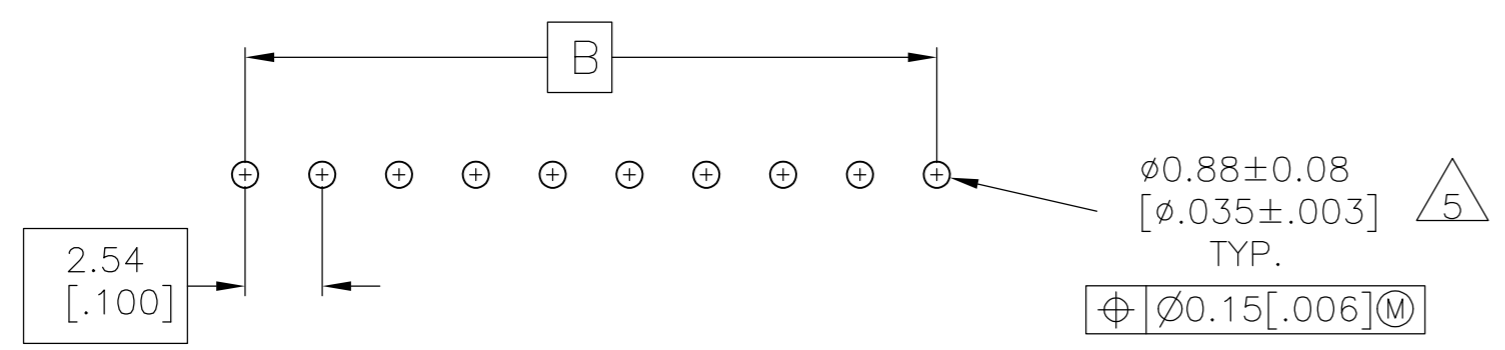
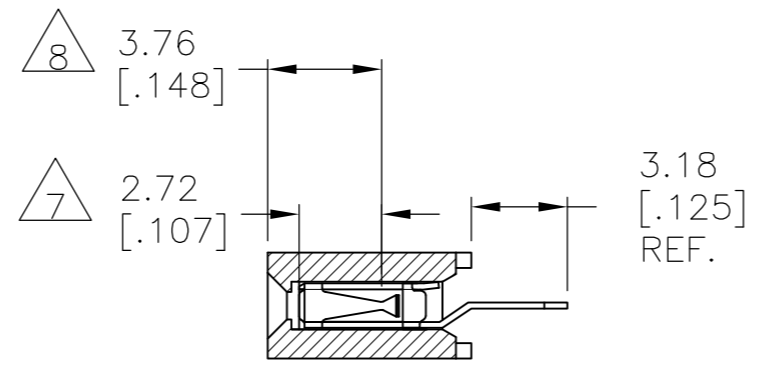
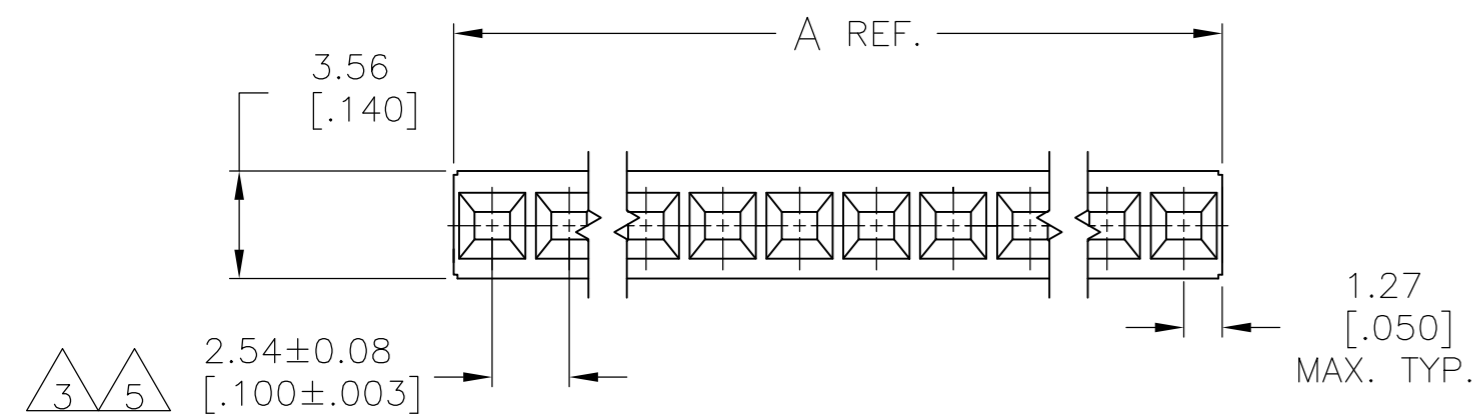
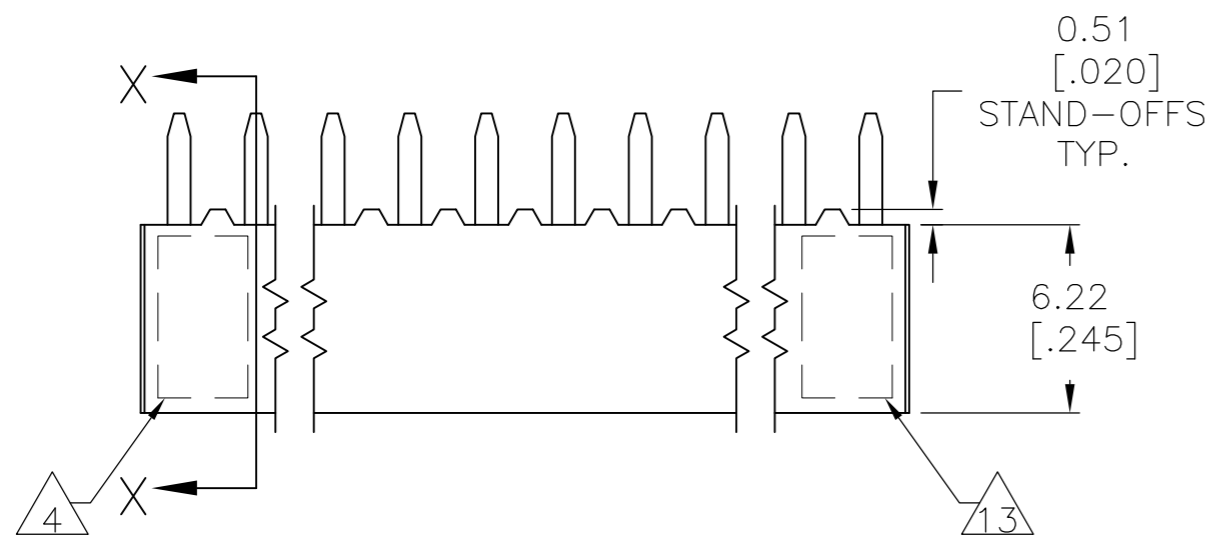


THIS DRAWING IS UNPUBLISHED. RELEASED FOR PUBLICATION
 © COPYRIGHT BY TYCO ELECTRONICS CORPORATION. ALL RIGHTS RESERVED.

LOC		DIST		REVISIONS			
P	LTR	DESCRIPTION		DATE	DWN	APVD	
	R1	REVISED PER ECO-08-019092		05AUG08	HMR	JO	



- 1 HOUSING: FLAME RETARDANT, GLASS FILLED, THERMOPLASTIC, COLOR: BLACK. CONTACT: PHOSPHOR BRONZE
- 2 CONTACT: 2.54-5.08µm [.000100-.000200] BRIGHT TIN-LEAD OVER 1.27µm [.000050] NICKEL
- 3 THESE DIMENSIONS PERTAIN TO CAVITY CENTERLINES ONLY - NOT TO CONTACT LOCATIONS
- 4 PART NUMBER AND DATE CODE ARE MARKED IN APPROXIMATE LOCATION SHOWN.
- 5 TOLERANCE IS NON-CUMULATIVE.
- 6 2 POSITION DATE CODE IS MARKED OPPOSITE SIDE OF TE LOGO.
- 7 POINT-OF-MEASUREMENT DIMENSION FOR PLATING THICKNESS (INSIDE CONTACT BEAM).
- 8 POINT-OF-CONTACT DIMENSION.
- 9 CONTACT: 3.81-7.62µm [.000150-.000300] MATTE TIN OVER 1.27µm [.000050] MIN. NICKEL
- 11 ROHS 2002/95/EC COMPLIANT
- 12 NO PART NUMBER MARKING REQUIRED FOR THIS PART.
- 13 TE LOGO AND CSA LOGO MOLDED INTO HOUSING, THIS LOCATION.

THIS DRAWING IS A CONTROLLED DOCUMENT.		DWN M.BINNER 05NOV02	Tyco Electronics Corporation Harrisburg, Pa 17105-3608	
DIMENSIONS: mm [INCHES]		CHK J.OLSON 05NOV02	NAME RECPT. ASSY., MOD IV, SINGLE ROW, .100 CL., VERTICAL BOARD MOUNT, CLOSED, TOP ENTRY, SHORT PNT. OF CONTACT	
TOLERANCES UNLESS OTHERWISE SPECIFIED:		APVD J.OLSON 05NOV02	PRODUCT SPEC 108-25022	
0 PLC ± -		APPLICATION SPEC 114-25018		SIZE A2
1 PLC ± -		WEIGHT -		CAGE CODE 00779
2 PLC ± 0.25 [.010]		CUSTOMER DRAWING		DRAWING NO C=535584
3 PLC ± 0.13 [.005]		SCALE 4:1		SHEET 1 OF 2
4 PLC ± -		REV R1		RESTRICTED TO -
ANGLES ± -				
FINISH				
1				
2				

THIS DRAWING IS UNPUBLISHED. RELEASED FOR PUBLICATION
 © COPYRIGHT BY TYCO ELECTRONICS CORPORATION. ALL RIGHTS RESERVED.

LOC		DIST		REVISIONS			
AD	00	P	LTR	DESCRIPTION	DATE	DWN	APVD
		-		SEE SHEET 1	-	-	-

SUPERCEDED BY 6-535584-5

12	2.54 [.100]	5.08 [.200]	2	6	8-535584-9
	96.52 [3.800]	99.06 [3.900]	39		8-535584-8
	93.98 [3.700]	96.52 [3.800]	38		8-535584-7
	91.44 [3.600]	93.98 [3.700]	37		8-535584-6
	88.90 [3.500]	91.44 [3.600]	36		8-535584-5
	86.36 [3.400]	88.90 [3.500]	35		8-535584-4
	83.82 [3.300]	86.36 [3.400]	34		8-535584-3
	81.28 [3.200]	83.82 [3.300]	33		8-535584-2
	78.74 [3.100]	81.28 [3.200]	32		8-535584-1
	76.20 [3.000]	78.74 [3.100]	31		8-535584-0
	71.12 [2.800]	73.66 [2.900]	29		7-535584-9
	68.58 [2.700]	71.12 [2.800]	28		7-535584-8
	66.04 [2.600]	68.58 [2.700]	27		7-535584-7
	63.50 [2.500]	66.04 [2.600]	26		7-535584-6
	60.96 [2.400]	63.50 [2.500]	25		7-535584-5
	58.42 [2.300]	60.96 [2.400]	24		7-535584-4
	55.88 [2.200]	58.42 [2.300]	23		7-535584-3
	53.34 [2.100]	55.88 [2.200]	22		7-535584-2
	50.80 [2.000]	53.34 [2.100]	21		7-535584-1
9	99.06 [3.900]	101.60 [4.000]	40		7-535584-0
11	73.66 [2.900]	76.20 [3.000]	30		6-535584-9
	48.26 [1.900]	50.80 [2.000]	20		6-535584-8
	45.72 [1.800]	48.26 [1.900]	19		6-535584-7
	40.64 [1.600]	43.18 [1.700]	17		6-535584-6
	38.10 [1.500]	40.64 [1.600]	16		6-535584-5
	35.56 [1.400]	38.10 [1.500]	15		6-535584-4
	33.02 [1.300]	35.56 [1.400]	14		6-535584-3
	30.48 [1.200]	33.02 [1.300]	13		6-535584-2
	27.94 [1.100]	30.48 [1.200]	12		6-535584-1
	25.40 [1.000]	27.94 [1.100]	11		6-535584-0
	22.86 [.900]	25.40 [1.000]	10		5-535584-9
	20.32 [.800]	22.86 [.900]	9		5-535584-8
	17.78 [.700]	20.32 [.800]	8		5-535584-7
	15.24 [.600]	17.78 [.700]	7		5-535584-6
	10.16 [.400]	12.70 [.500]	5		5-535584-5
	7.62 [.300]	10.16 [.400]	4		5-535584-4
	5.08 [.200]	7.62 [.300]	3		5-535584-3
	43.18 [1.700]	45.72 [1.800]	18		5-535584-2
	12.70 [.500]	15.24 [.600]	6		5-535584-1
FINISH	B	A	NO OF POSN	PART NUMBER	

11	38.10 [1.500]	40.64 [1.600]	16	4	535584-0
12	2.54 [.100]	5.08 [.200]	2	6	3-535584-9
	96.52 [3.800]	99.06 [3.900]	39		3-535584-8
	93.98 [3.700]	96.52 [3.800]	38		3-535584-7
	91.44 [3.600]	93.98 [3.700]	37		3-535584-6
	88.90 [3.500]	91.44 [3.600]	36		3-535584-5
	86.36 [3.400]	88.90 [3.500]	35		3-535584-4
	83.82 [3.300]	86.36 [3.400]	34		3-535584-3
	81.28 [3.200]	83.82 [3.300]	33		3-535584-2
	78.74 [3.100]	81.28 [3.200]	32		3-535584-1
	76.20 [3.000]	78.74 [3.100]	31		3-535584-0
	71.12 [2.800]	73.66 [2.900]	29		2-535584-9
	68.58 [2.700]	71.12 [2.800]	28		2-535584-8
	66.04 [2.600]	68.58 [2.700]	27		2-535584-7
	63.50 [2.500]	66.04 [2.600]	26		2-535584-6
	60.96 [2.400]	63.50 [2.500]	25		2-535584-5
	58.42 [2.300]	60.96 [2.400]	24		2-535584-4
	55.88 [2.200]	58.42 [2.300]	23		2-535584-3
	53.34 [2.100]	55.88 [2.200]	22		2-535584-2
	50.80 [2.000]	53.34 [2.100]	21		2-535584-1
	99.06 [3.900]	101.60 [4.000]	40		2-535584-0
2	73.66 [2.900]	76.20 [3.000]	30		1-535584-9
	48.26 [1.900]	50.80 [2.000]	20		1-535584-8
	45.72 [1.800]	48.26 [1.900]	19		1-535584-7
	40.64 [1.600]	43.18 [1.700]	17		1-535584-6
	38.10 [1.500]	40.64 [1.600]	16		1-535584-5
	35.56 [1.400]	38.10 [1.500]	15		1-535584-4
	33.02 [1.300]	35.56 [1.400]	14		1-535584-3
	30.48 [1.200]	33.02 [1.300]	13		1-535584-2
	27.94 [1.100]	30.48 [1.200]	12		1-535584-1
	25.40 [1.000]	27.94 [1.100]	11		1-535584-0
	22.86 [.900]	25.40 [1.000]	10		535584-9
	20.32 [.800]	22.86 [.900]	9		535584-8
	17.78 [.700]	20.32 [.800]	8		535584-7
	15.24 [.600]	17.78 [.700]	7		535584-6
	10.16 [.400]	12.70 [.500]	5		535584-5
	7.62 [.300]	10.16 [.400]	4		535584-4
	5.08 [.200]	7.62 [.300]	3		535584-3
	43.18 [1.700]	45.72 [1.800]	18		535584-2
	12.70 [.500]	15.24 [.600]	6		535584-1
FINISH	B	A	NO OF POSN	PART NUMBER	

THIS DRAWING IS A CONTROLLED DOCUMENT.

DWN M.BINNER 05NOV02
 CHK J.OLSON 05NOV02
 APVD J.OLSON 05NOV02

Tyco Electronics Tyco Electronics Corporation
 Harrisburg, Pa 17105-3608

NAME RECPT. ASSY., MOD IV, SINGLE ROW, .100 CL.,
 VERTICAL BOARD MOUNT, CLOSED, TOP ENTRY,
 SHORT PNT. OF CONTACT

PRODUCT SPEC 108-25022
 APPLICATION SPEC 114-25018

SIZE A2 CAGE CODE 00779 DRAWING NO C=535584 RESTRICTED TO -

MATERIAL FINISH WEIGHT - SCALE 4:1 SHEET 2 OF 2 REV R1

CUSTOMER DRAWING